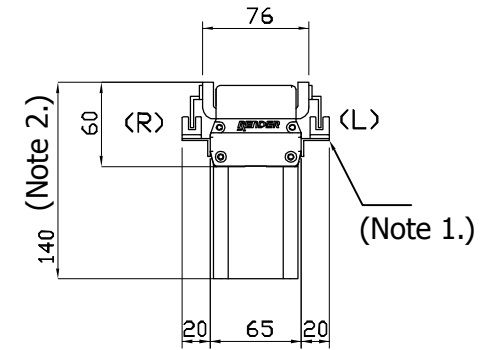
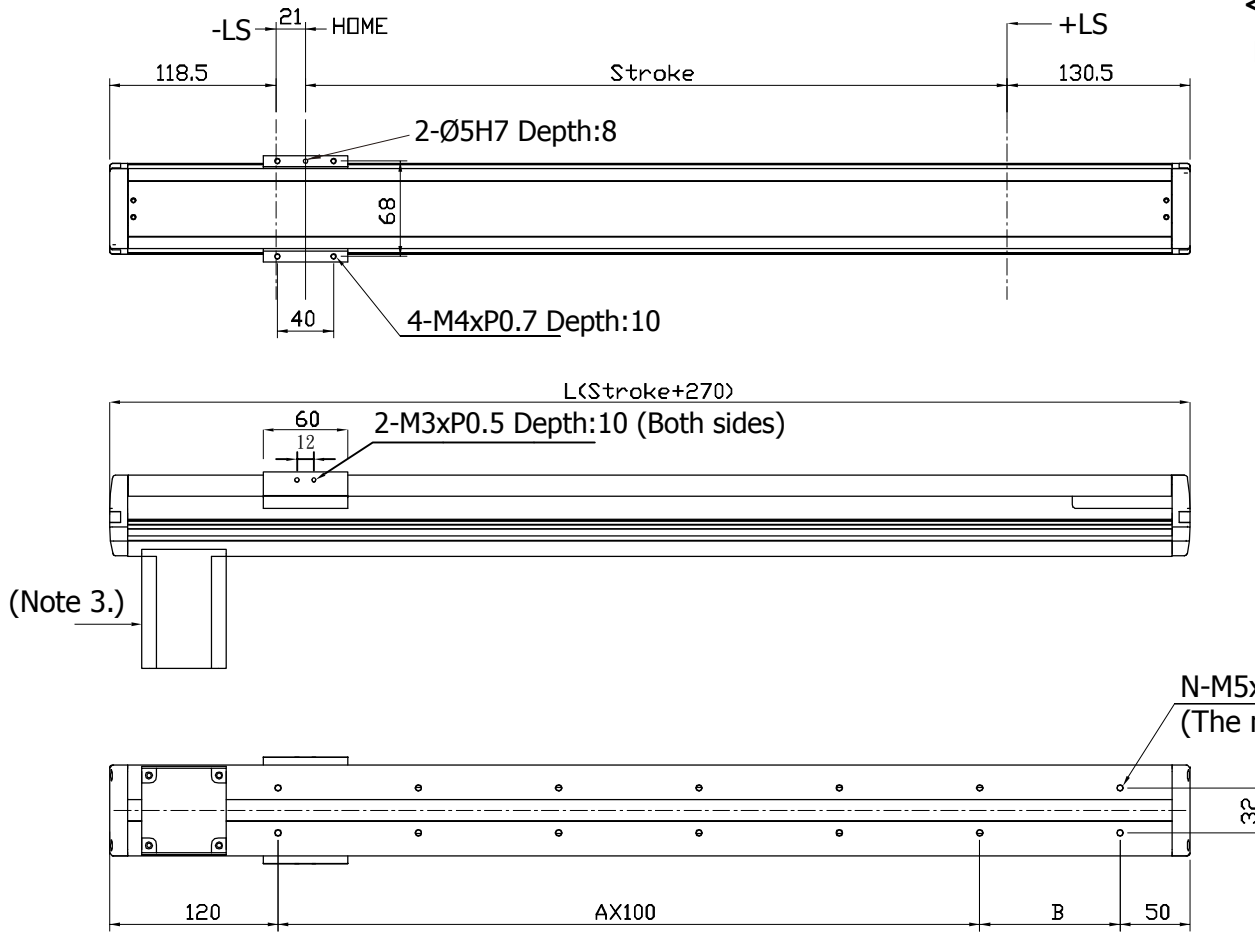


<JDTN-65> Specification

- Note:1.We install the sensor outside.(right or left side)(optional accessory)
 2.The dimension of machine changes according to different motor.
 3.Applicable motor:100W or less than 100W



SENSOR Operation:
 1.+LS
 2.HOME
 3.-LS

Unit:mm

Stroke	100	200	300	400	500	600	700	800	900	1000	1100	1200
L	370	470	570	670	770	870	970	1070	1170	1270	1370	1470
A	1	2	3	4	5	6	7	8	9	10	11	12
B	100	100	100	100	100	100	100	100	100	100	100	100
N	6	8	10	12	14	16	18	20	22	24	26	28
Weight(kg)	1.8	2.8	3.8	4.8	5.8	6.8	7.3	7.8	8.3	8.8	9.3	9.8