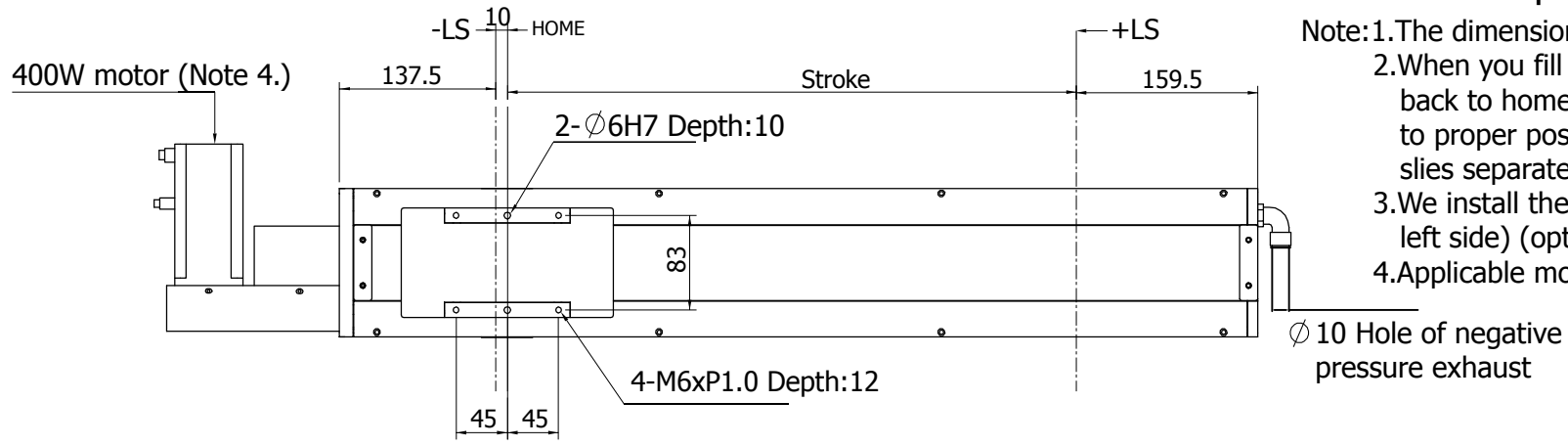
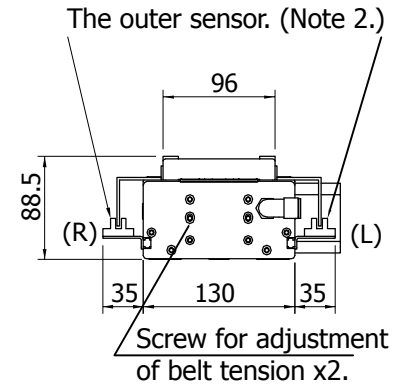
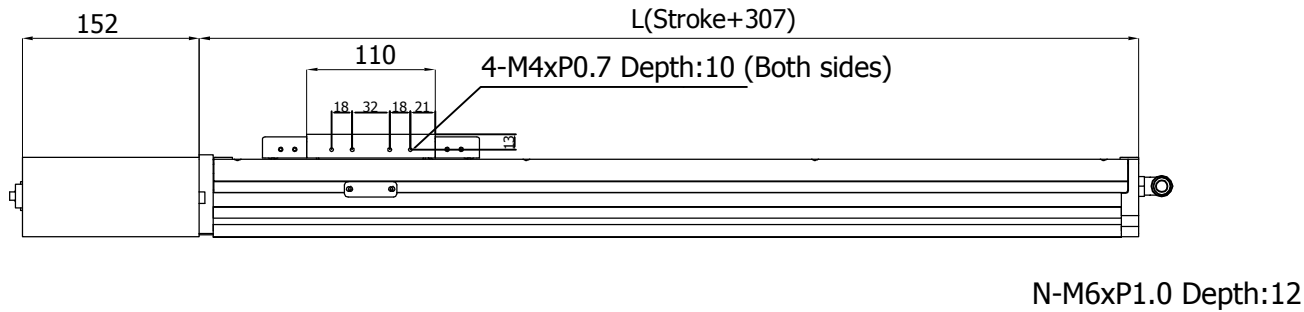


<JDTS-130> Specification

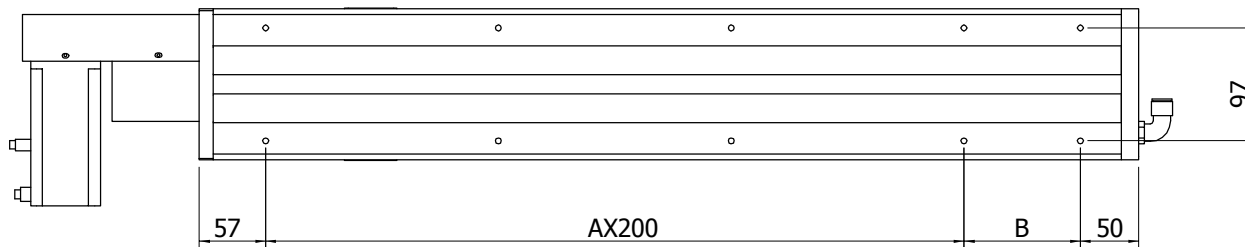


- Note: 1. The dimension of motor can be BL or BR.
 2. When you fill oil, the sensor needs to be back to home coordinate and adjusted to proper position, then we can fill oil to slices separately.
 3. We install the sensor outside. (right or left side) (optional accessory)
 4. Applicable motor: 100, 200W, 400W.

Ø 10 Hole of negative pressure exhaust



SENSOR Operation:
 1.+LS
 2.HOME
 3.-LS



Unit:mm

Stroke	300	400	500	600	700	800	900	1000	1100	1200	1300	1400	1500	1600	1700	1800	1900	2000	2100	2200	2300	2400
L	607	707	807	907	1007	1107	1207	1307	1407	1507	1607	1707	1807	1907	2007	2107	2207	2307	2407	2507	2607	2707
A	2	2	3	3	4	4	5	5	6	6	7	7	8	8	9	9	10	10	11	11	12	12
B	100	200	100	200	100	200	100	200	100	200	100	200	100	200	100	200	100	200	100	200	100	200
N	8	8	10	10	12	12	14	14	16	16	18	18	20	20	22	22	24	24	26	26	28	28
Weight(kg)	8.8	9.8	10.8	11.8	12.8	13.8	14.8	15.8	16.8	17.8	18.8	19.8	20.8	21.8	22.8	23.8	24.8	25.8	26.8	27.8	28.8	29.8